


PN 10/16 - DN 40...250

KAT-A 1545-HG-AL-s

Product characteristics and benefits

- Resilient seated in accordance with EN 12334
- Face-to-face length acc. to EN 558-1, basic series 48 (DIN 3202, F6)
- With flange ends on both sides acc. to EN 1092-2
- With lever and weight (located on the right in flow direction)
- Lever and weight useable for position indicator
- Low pressure loss
- For horizontal and vertical (flow from bottom upwards) pipelines
- With access bonnet for maintenance

Materials

- Body: Cast iron EN-JL 1040 (GG-25)
- Bonnet: Cast iron EN-JL 1040 (GG-25)
- Check valve disk: Cast iron EN-JL 1040 (GG-25)
- Bonnet bolts: Stainless steel A2 (DIN EN ISO 3506)

Corrosion protection

- Inside and outside epoxy coating

Versions

- Standard version as described
- With integrated bypass

Field of Application

- Installation in plants


Tests and approvals

- Final inspection test acc. to EN 12266 (DIN 3230 Part 4)

Note

For safety reasons we recommend to install a protective grid or wire guard on-site.

For proper installation and safe operation please follow the installation and operation instructions:

“Installation and Operating Instructions for Valves”

Field of application

DN	PN	Maximum operating pressure [bar]	Maximum operating temperature for neutral liquids [°C]
40...250	16	16	50
200...250	10	10	50

Pressure test acc. to EN 12266

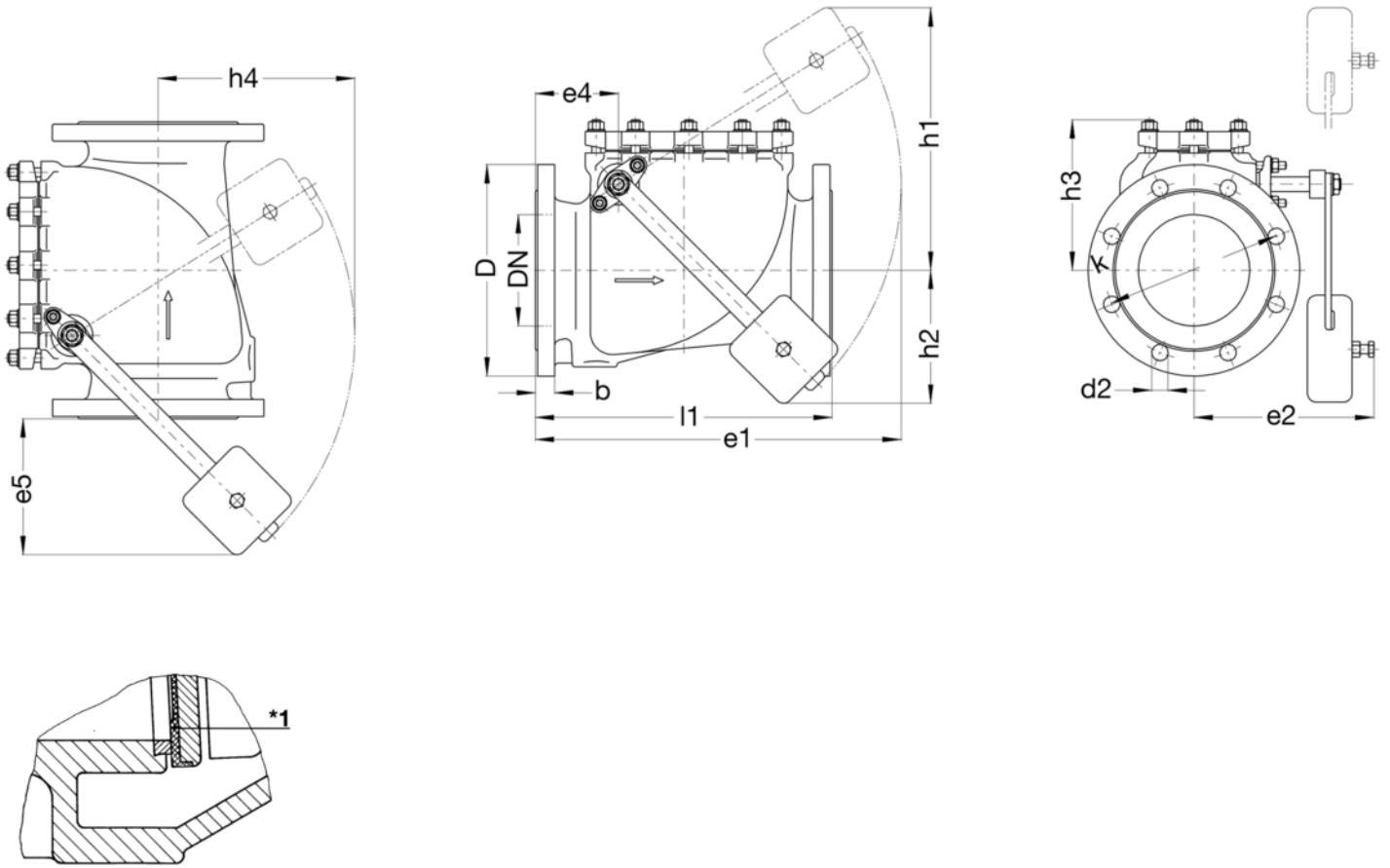
Test pressure body with water [bar]	Test pressure seat with water [bar]
24	17.6
15	11

VAG RSK Disk Check Valve AL

resilient-seated - with lever and weight



Drawing



*1: Valve seal, resilient-seated

Technical data

PN 16

DN		40	50	65	80	100	125	150	200	250
D	[mm]	150	165	185	200	220	250	285	340	405
b	[mm]	18	20	20	22	24	26	26	30	32
d2	[mm]	18	18	18	18	18	18	22	22	26
e1	[mm]	270	275	350	350	420	435	500	660	830
e2	[mm]	155	155	175	180	190	200	245	280	295
e3	[mm]	135	140	150	160	170	175	210	240	270
e4	[mm]	60	65	78	78	82	97	112	128	148
e5	[mm]	100	95	120	120	165	150	185	280	365
h1	[mm]	130	135	200	220	275	290	355	485	600
h2	[mm]	115	110	135	135	160	160	180	260	335
h3	[mm]	110	120	130	135	160	180	205	255	290
h4	[mm]	165	160	205	200	250	240	265	380	500
k	[mm]	110	125	145	160	180	210	240	295	355
l1	[mm]	180	200	240	260	300	350	400	500	600
No. of holes		4	4	4	8	8	8	8	12	12
Weight approx.	[kg]	10.00	12.00	17.00	21.00	29.00	42.00	59.00	96.00	136.00
Volume approx.	[m ³]	0.003	0.003	0.005	0.005	0.006	0.007	0.012	0.025	0.043


Technical data
PN 10

DN		200	250
D	[mm]	340	405
b	[mm]	30	32
d2	[mm]	22	22
e1	[mm]	660	830
e2	[mm]	280	295
e3	[mm]	240	270
e4	[mm]	128	148
e5	[mm]	280	365
h1	[mm]	485	600
h2	[mm]	260	335
h3	[mm]	255	290
h4	[mm]	380	500
k	[mm]	295	350
l1	[mm]	500	600
No. of holes		8	12
Weight approx.	[kg]	96.00	136.00
Volume approx.	[m ³]	0.025	0.043

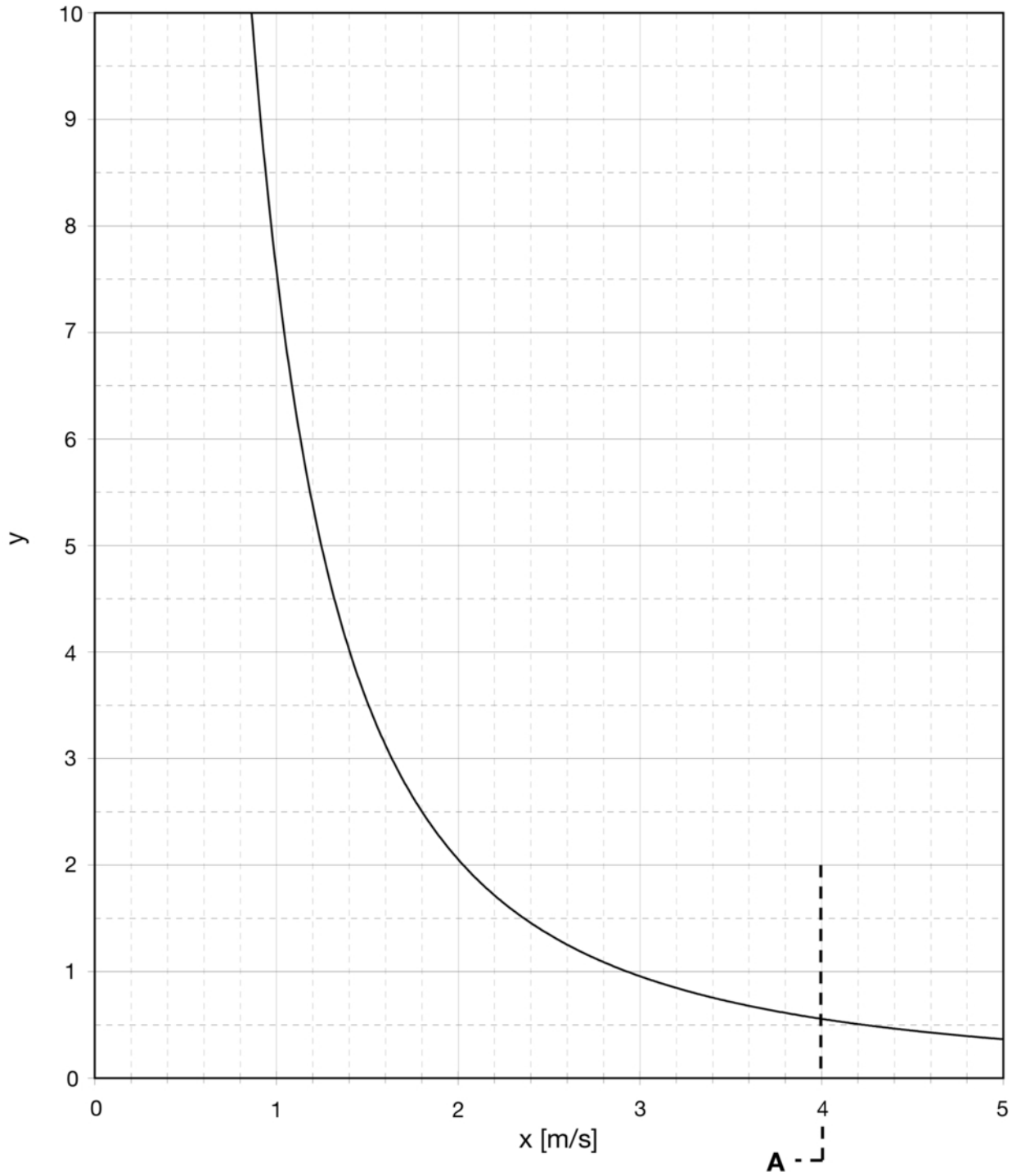
VAG RSK Disk Check Valve AL

resilient-seated - with lever and weight



Further information

Flow resistance coefficient



x: Flow velocity [m/s]
y: Flow resistance coefficient ζ
A: Operation limit