


**PN 10/16 - DN 40...250**

KAT-A 1545-IW-IL

**Product characteristics and benefits**

- Metallic sealing in accordance with EN 12334 - Part 3)
- Face-to-face length acc. to EN 558-1, basic series 48 (DIN 3202, F6)
- With flange ends on both sides acc. to EN 1092-2
- With inside shaft
- Low pressure loss
- For horizontal and vertical (flow from bottom upwards) pipelines
- With access bonnet for maintenance

**Materials**

- Body: Cast iron EN-JL 1040 (GG-25)
- Bonnet: Cast iron EN-JL 1040 (GG-25)
- Check valve disk: Cast iron EN-JL 1040 (GG-25)
- Bonnet bolts: Stainless steel A2 (DIN EN ISO 3506)

**Corrosion protection**

- Inside and outside synthetic resin varnish coating

**Versions**

- Standard version as described
- With integrated bypass

**Field of Application**

- Installation in plants


**Tests and approvals**

- Final inspection test acc. to EN 12266 (DIN 3230 Part 4)

**Note**

For proper installation and safe operation please follow the installation and operation instructions:

“Installation and Operating Instructions for Valves”

**Field of application**

DN	PN	Maximum operating pressure [bar]	Maximum operating temperature for neutral liquids [°C]
40...250	16	16	120
200...250	10	10	120

**Pressure test acc. to EN 12266**

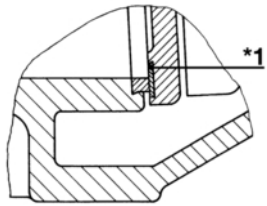
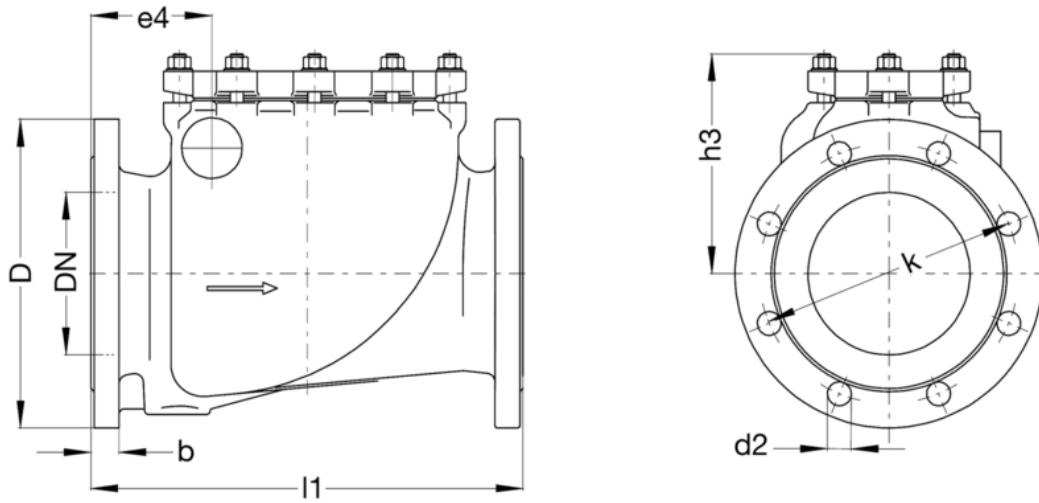
Test pressure body with water [bar]	Test pressure seat with water [bar]
24	17.6
15	11

# VAG RSK Disk Check Valve IL

metallic sealing - with internal shaft



## Drawing



\*1: Valve seal, metallic sealing

## Technical data

### PN 16

DN	40	50	65	80	100	125	150	200	250
D [mm]	150	165	185	200	220	250	285	340	405
b [mm]	18	20	20	22	24	26	26	30	32
d2 [mm]	18	18	18	18	18	18	22	22	26
e4 [mm]	60	65	78	78	82	97	112	128	148
h3 [mm]	110	120	130	135	160	180	205	255	290
k [mm]	110	125	145	160	180	210	240	295	355
l1 [mm]	180	200	240	260	300	350	400	500	600
No. of holes	4	4	4	8	8	8	8	12	12
Weight approx. [kg]	8.00	10.00	15.00	18.00	25.00	36.00	52.00	82.00	122.00
Volume approx. [m <sup>3</sup> ]	0.005	0.007	0.010	0.012	0.017	0.027	0.040	0.072	0.100

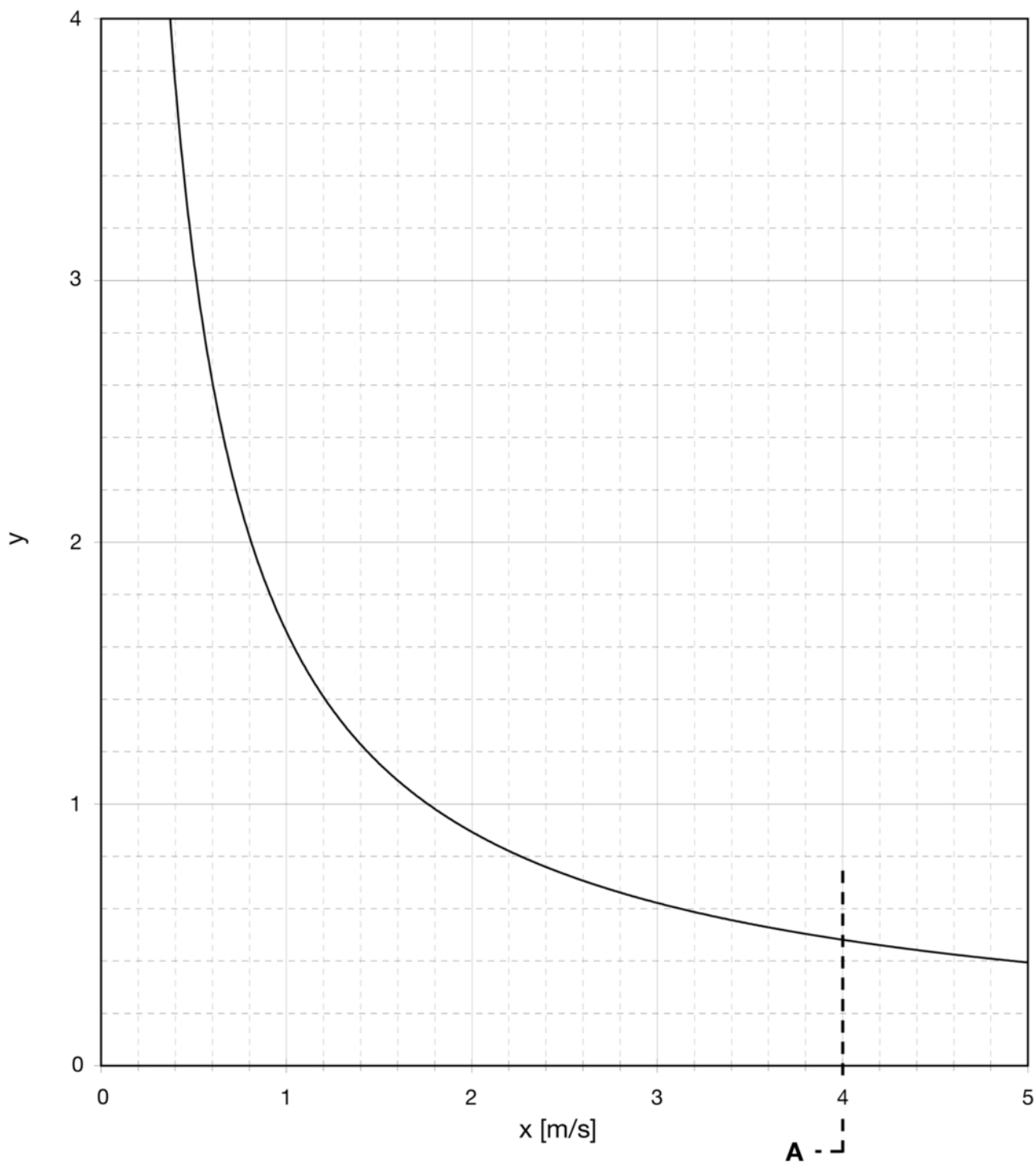

**Technical data**
**PN 10**

<b>DN</b>		<b>200</b>	<b>250</b>
D	[mm]	340	405
b	[mm]	30	32
d2	[mm]	22	22
e4	[mm]	128	148
h3	[mm]	255	290
k	[mm]	295	350
l1	[mm]	500	600
No. of holes		8	12
Weight approx.	[kg]	82.00	122.00
Volume approx.	[m <sup>3</sup> ]	0.072	0.100



Further information

Flow resistance coefficient



x: Flow velocity [m/s]  
y: Flow resistance coefficient  $\zeta$   
A: Operation limit