


PN 10/16 - DN 50...300

KAT-A 2032-NR

Product characteristics and benefits

- Face-to-face length acc. to EN 558-1 (DN 50 to DN 250)
- With flange ends on both sides acc. to EN 1092-2
- The valve retains a constant water level in a tank. As soon as water is removed, the valve opens and closes when the level is reached
- Valve controlled by its own medium
- Pressed-in stainless steel inserts with O-ring seal to connect the control circuit
- Pre-formed diaphragm with sealing bulges
- Slotted cylinder as standard control insert for cavitation-free regulation
- Chambered and pull-out proof profiled sealing ring
- High-alloy weld overlay ensures the durability of the seat
- Separate connection of control circuit and pressure gauges

Materials

- Main valve:
 - Body: Ductile cast iron EN-JS 1030 (GGG-40)
 - Bonnet: Ductile cast iron EN-JS 1030 (GGG-40)
 - Valve seal: EPDM
 - Control insert: Stainless steel 1.4301
- Control circuit:
 - All functional parts: Stainless steel 1.4404
 - Piping: Stainless steel 1.4571
 - Rubber parts: EPDM
 - Filter casing: Stainless steel 1.4404
 - Pilot valve body: Stainless steel 1.4404

Corrosion protection

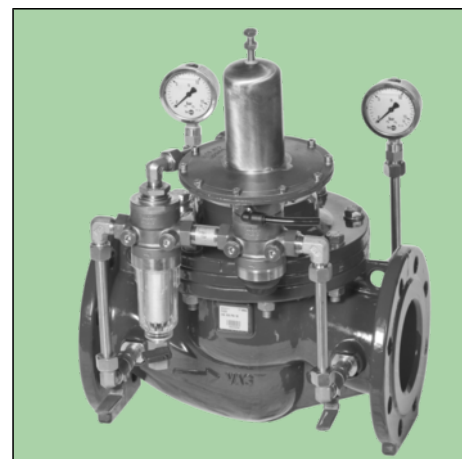
- Inside and outside epoxy coating

Versions

- Standard version as described
- Pressure rating PN 25 available on request
- Nominal diameter > DN 300 available upon request
- Further versions available upon request
- Services available upon request

Field of Application

- Chamber installation
- Installation in plants


Tests and approvals

- Final inspection test acc. to EN 12266 (DIN 3230 Part 4)

Operation data

- Specify operating pressure when inquiring/ordering.:
 - Maximum flow rate
 - Minimum flow rate
 - Static pressure upstream of valve
 - Dynamic pressure upstream of valve
 - Dynamic pressure downstream of valve

Note

The pilot-operated control valve should preferably be installed between two shut-off valves and the strainer on the upstream side.

For proper installation and safe operation please follow the installation and operation instructions:
KAT-B 2032

Field of application

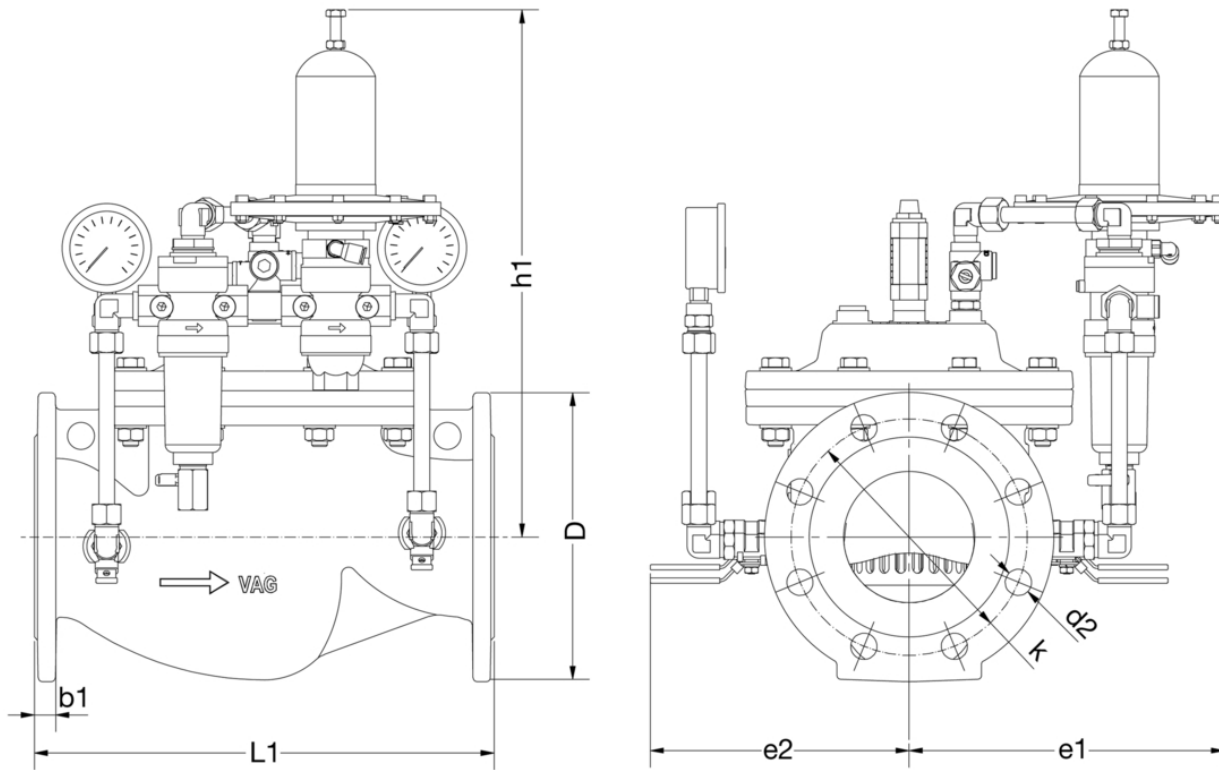
DN	PN	Maximum operating pressure [bar]	Maximum operating temperature for neutral liquids [°C]
50...300	16	16	50
200...300	10	10	50

Pressure test acc. to EN 12266

Test pressure body with water [bar]	Test pressure seat with water [bar]	Test pressure seat with air [bar]
24	17.6	6
15	11	6



Drawing



Technical data

PN 16

DN		50	65	80	100	125	150	200	250	300
D	[mm]	165	185	200	220	250	285	340	400	455
L1	[mm]	230	290	310	350	400	480	600	730	710
b1	[mm]	19	19	19	19	19	19	20	22	24.5
d2	[mm]	19	19	19	19	19	23	23	28	28
e1	[mm]	230	240	250	260	270	320	350	390	420
e2	[mm]	180	190	200	210	220	250	280	300	330
h1	[mm]	335	410	400	410	415	485	555	610	610
k	[mm]	125	145	160	180	210	240	295	355	410
No. of holes		4	4	8	8	8	8	12	12	12
Weight approx.	[kg]	21.00	32.00	33.00	40.00	44.00	76.00	133.00	217.00	239.00
Volume approx.	[m ³]	0.050	0.070	0.070	0.090	0.110	0.170	0.270	0.410	0.450

PN 10

DN		200	250	300
D	[mm]	340	400	455
L1	[mm]	600	730	710
b1	[mm]	20	22	24.5
d2	[mm]	23	23	23
e1	[mm]	350	390	420
e2	[mm]	280	300	330
h1	[mm]	555	610	610
k	[mm]	295	350	400
No. of holes		8	12	12
Weight approx.	[kg]	133.00	217.00	239.00
Volume approx.	[m ³]	0.270	0.410	0.450